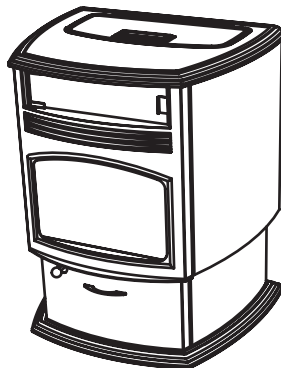




QUADRA-FIRE

CONTOUR PELLET STOVE INSTALLATION, OPERATION, AND MAINTENANCE INSTRUCTIONS



IMPORTANT! Record serial number of your stove on the warranty card and mail immediately. The serial number is located on the safety label affixed behind the left side curtain on the outside of hopper wall.

Please read this entire manual before installation and use of this pellet fuel room heater. Failure to follow these instructions could result in property damage, bodily injury or even death.

IMPORTANT SAFETY NOTES

1. When installing your stove, particular attention should be paid to fire protection. If this unit is not properly installed, a house fire may result. For your safety, follow the installation instructions, and contact local building or fire officials about restrictions and installation inspection required in your area.
2. Read power supply section of component information (page 15) before you plug in the stove.
3. Always unplug the stove before cleaning or servicing.
4. During operation, if any part of the stove starts to glow, the stove is in an overfired condition. Reduce the feed rate and increase the amount of air going into the stove. **OVERFIRING VOIDS WARRANTY.**
5. Do not install a flue damper in the exhaust venting system of this unit.
6. Do not connect the stove to a chimney flue already serving another appliance.
7. Never use gasoline, gasoline-type lantern fuel, kerosene, charcoal lighter fluid, or similar liquids to start or freshen up a fire in this heater. Keep all such liquids well away from the heater while it is in use.
8. The stove operates with a negative pressure firebox and a positive pressure exhaust. It is imperative that the chimney system be airtight and installed correctly.
9. Dispose of all ashes in a metal container.
10. Comply with all minimum clearances to combustibles as shown on page 5.
11. The Quadra-Fire Contour is tested and approved for pelleted biomass fuel or shelled field corn only. Burning of any other type of fuel voids your warranty!
12. Aladdin Hearth Products, manufacturer of the Contour pellet stove, reserves the right to alter its products, their specifications and/or price without notice.
13. **ALADDIN HEARTH PRODUCTS, GRANTS NO WARRANTY, IMPLIED OR STATED, FOR THE INSTALLATION OR MAINTENANCE OF THIS UNIT AND ASSUMES NO RESPONSIBILITY FOR ANY CONSEQUENTIAL DAMAGE(S).**

PRIOR TO FIRST FIRE: Remove all labels from glass. Clean gold surfaces with a glass cleanser and soft cloth to prevent staining from fingerprint oils.



SAVE THESE INSTRUCTIONS

1445 N. Highway
Colville, WA 99114

250-5583

October 10, 2001

www.aladdinhearth.com

Congratulations

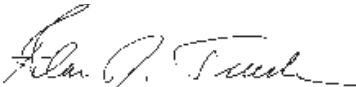


Aladdin Hearth Products welcomes you to our tradition of excellence! In choosing a **Quadra-Fire** appliance, you have our assurance of commitment to quality, durability, and performance.

This commitment begins with our research of the market, including 'Voice of the Customer' contacts, ensuring we make products that will satisfy your needs. Our Research and Development facility then employs the world's most advanced technology to achieve the optimum operation of our stoves, inserts and fireplaces. And yet we are old-fashioned when it comes to craftsmanship. During manufacturing each unit is meticulously fabricated and gold surfaces are hand-finished for lasting beauty and enjoyment. Our pledge to quality is completed as each model undergoes a quality control inspection. Additionally, we feel it is important to offer you several finishing options and accessories to compliment your home's décor, individualize the use of your appliance, and provide financial options in acquiring a quality hearth appliance. Ask your **Quadra-Fire** Dealer for information on these options. From design, to fabrication, to shipping: Our guarantee of quality is more than a word, it's **Quadra-Fire** tradition, and we proudly back this tradition with a **Lifetime Warranty**.

Prior to installation, we ask you to take a few moments to read this manual. It has been our experience that your overall enjoyment of your new appliance will be greatly enhanced by becoming familiar with its' installation, operation and maintenance requirements. We wish you and your family many years of enjoyment in the warmth and comfort of your hearth appliance. **Thank you** for choosing **Quadra-Fire**.

With warm regards,


Group Vice President

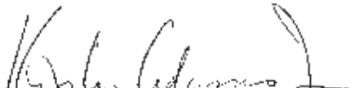

Vice President
Research & Development


Vice President
Marketing & Product Planning


Controller


General Manager

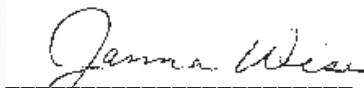

Quality / Technical
Support Manager


Manufacturing Engineer
Manager


Central Sales Manager


Eastern Sales Manager


Order Fulfillment Manager


Sr. Purchasing Agent


Human Resources &
Community Relations

TABLE OF CONTENTS

MODEL NAME

Serial Number

Date Purchased

Dealership Where Purchased

Dealer Phone

Additional Information:

	<u>Page</u>
Safety Label.....	4
Safety Label Location.....	4
Clearances to Combustibles.....	5
Floor Protection Requirements.....	5
Listings and Specifications	5
Dimensions.....	5
Chimney and Exhaust Connections	6
Venting Termination Requirements.....	6
Venting Graph and Pipe Table	6
Venting Systems	
A. Alcove.....	7
B. Through the Wall.....	7
C. Vertical.....	8
D. Through the Wall and Vertical	8
E. Masonry.....	8
F. Alternate masonry.....	8
Top Vent Adapter	9
Feed Adjustment Instructions	9
Log Placement Instructions	10
Mobile Home Installation	11
Thermostat Installation	11
Operating Instructions	11-12
Cleaning and Maintenance.....	13-14
Component Information.....	15-17
Troubleshooting	18-20
Wiring Harness.....	20
Outside Air Kit Installation Instructions.....	21
Trim Ring Installation Instructions.....	22-23
Gold Grille Installation Instructions.....	23
Exhaust Blower Replacement Instructions	24
Feed Motor Replacement Instructions.....	24
Rear Screen Replacement Instructions.....	25
Top Baffle Removal Instructions	25
Accessories and Service Parts.....	26
Warranty	27
Warranty card	Insert

AFTER COMPLETING YOUR WARRANTY CARD, ATTACH YOUR SALES RECEIPT AND WARRANTY STUB HERE FOR FUTURE REFERENCE.

SAFETY LABEL

LABEL LOCATION: BEHIND LEFT SIDE CURTAIN ON OUTSIDE OF HOPPER

OMNI-Test Labs, Inc.
Beaverton, OR
Report No. 061-S-20-2



"PREVENT HOUSE FIRES"

Install and use only in accordance with manufacturer's installation and operating instructions. Contact Local Building or Fire Officials About Restrictions and Inspection in Your Area.

WARNING - FOR MANUFACTURED HOMES: Do not install appliance in a sleeping room. An outside combustion air inlet must be provided. The structural integrity of the manufactured home floor, ceiling and walls must be maintained.

Refer to manufacturer's instructions and local codes for precautions required for passing chimney through a combustible wall or ceiling. Inspect and clean exhaust venting system frequently in accordance with manufacturer's instructions.

Use a 3" or 4" diameter type "L" or "PL" venting system.

Do not connect this unit to a chimney flue servicing another appliance.

Model:
QUADRA-FIRE CONTOUR

Room Heater Pellet Fuel Burning Type

Also for use in Mobile Homes. This pellet burning appliance has been tested and listed for use in Manufactured Homes in accordance with OAR 814-23-900 through 814-23-909

Serial No.



Tested to:
ASTM E 1509, and ULC-C1482-M1990 Room Heater Pellet Fuel Burning type (UM) 84-HUD

Input Rating Max 4 lb. fuel/hr.

Electrical Rating: 115 VAC, 60 Hz,
Start 4.1 Amps, Run 1.1 AMPS.

Route power cord away from unit
DANGER: Risk of electrical shock. Disconnect power supply before servicing.

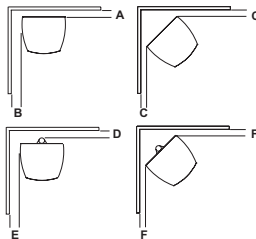
Replace glass only with 5mm ceramic available from your dealer

To start, set thermostat above room temperature, the stove will light automatically. To shutdown, set thermostat to below room temperature. For further instruction refer to owner's manual.

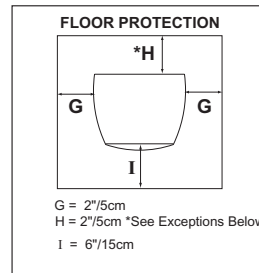
Keep viewing and ash removal doors tightly closed during operation.

FOR USE WITH PELLETIZED WOOD FUELOR SHELLED FIELD CORN ONLY.

Minimum Clearances to Combustible Materials



- A Back Wall to Appliance 2"/5cm
- B Side Wall to Appliance 6"/15cm
- Corner Installation:
- C Walls to Appliance 2"/5cm
- Vertical 3" - 6" Adapter Kit (Part #812-3570) Installation:
- D Back Wall to Appliance Flue 3"/8cm
- E Side Wall to Appliance 6"/15cm
- Corner Installation with Vertical Adapter Kit:
- F Walls to Appliance 2"/5cm
- Alcove Installation:
- Min. Alcove Height: 43"/1092cm
- Min. Alcove Side Wall 6"/15cm
- Max. Alcove Depth 36"/91cm



Use a non-combustible floor protector extending under unit and to the sides, front and back of unit as shown in Floor Protection Diagram. Measure front distance (I) from the surface of the glass door.

*Exceptions: Non-combustible floor protection must extend beneath the fluepipe when installed with horizontal venting or under the top vent adapter with vertical installation.

Note 1: In residential installations, when using parts #811-0860, (3" - 3" Top Vent Adapter) and #812-3570 (3" - 6" Offset Adapter), 24 gauge 6" single wall flue connector may be used.

Note 2: In manufactured home installation, when using part #811-0860, (3" - 3" Top Vent Adapter) and #812-3570 (3' - 6" Offset Adapter), use listed double wall flue connector. An Outside Air Kit (#811-0871), must be used with manufactured home installation.

U.S. ENVIRONMENTAL PROTECTION AGENCY

This model is exempt from EPA certification under 40 CFR 60.531 by definition [Wood Heater (A) "Air-to-Fuel Ratio"].

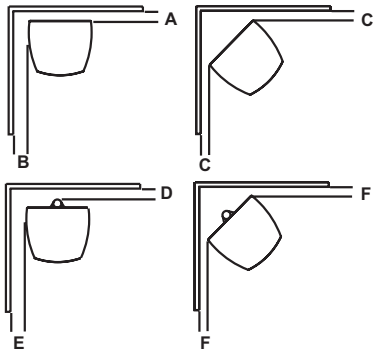
Date of Manufacture



DO NOT REMOVE THIS LABEL

MADE IN U.S.A.

CLEARANCES TO COMBUSTIBLES



- A Back Wall to Appliance 2"/5cm
- B Side Wall to Appliance 6"/15cm
- Corner Installation:**
- C Walls to Appliance 2"/5cm
- Vertical 3" - 6" Adapter Kit (Part #812-3570) Installation:**
- D Back Wall to Appliance Flue 3"/8cm
- E Side Wall to Appliance 6"/15cm
- Corner Installation with Vertical Adapter Kit:**
- F Walls to Appliance 2"/5cm
- Alcove Installation:**
- Min. Alcove Height: 43"/1092cm
- Min. Alcove Side Wall 6"/15cm
- Max. Alcove Depth 36"/91cm

FLOOR PROTECTION

Use a non-combustible floor protector extending under unit and to the sides, front and back of unit as shown in Floor Protection Diagram.

G = 2"/5cm Measure front distance (I) from the surface of the glass door.

H = 2"/5cm

See Exceptions Exceptions: Non-combustible floor protection must extend beneath the flue pipe when installed with horizontal venting or under the Top Vent Adapter with vertical installation.

I = 6"/15cm

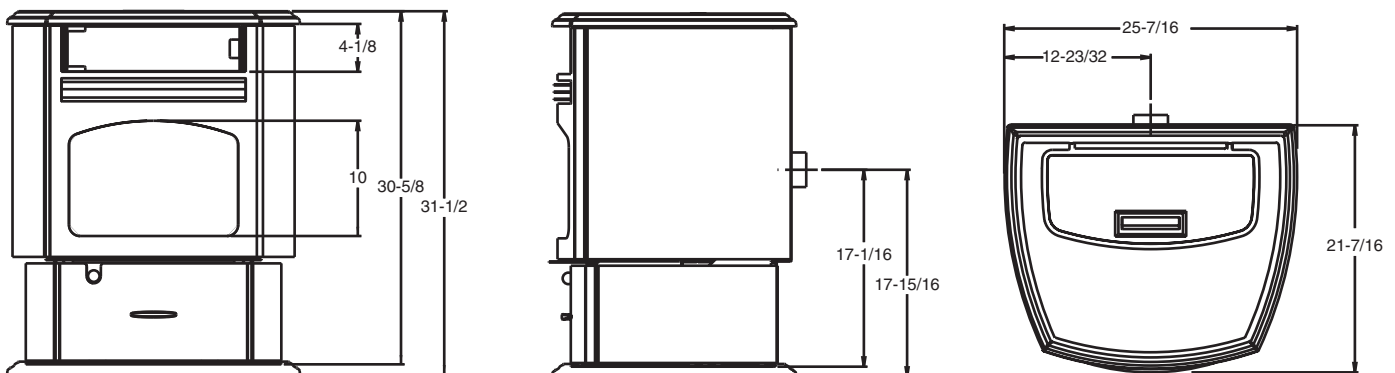
LISTINGS AND SPECIFICATIONS

The QUADRA-FIRE CONTOUR pellet stove is safety listed with OMNI-Test Labs, Inc., Beaverton, OR, to ASTM E 1509 and ULC-C1482-M1990 Room Heater Pellet Fuel Burning type (UM) 84-HUD. Also suitable for use in mobile homes. See pages 5 and 9 for mobile home installation details.

HEAT OUTPUT*: 8,000 to 30,000 BTUs per hour

*BTU output will vary, depending on the brand of fuel you use in your stove. Consult your Quadra-Fire dealer for best results.

DIMENSIONS



CHIMNEY AND EXHAUST CONNECTION

1. **Chimney & Connector:** Use 3" (76mm) or 4" (102mm) diameter type "L" or "PL" venting system.
2. **Mobile Home:** Approved for all listed pellet vent. If using the 3" (76mm) vertical Top Vent Adapter Kit (part #811-0860), or the 3" (76mm) to 6" (152mm) Offset Collar (part #812-3570), use listed double wall flue connector. An Outside Air Kit (part #811-0871), must be used with manufactured home installation.
3. **Residential:** The 3" (76mm) vertical Top Vent Adapter Kit (#811-0860), and 3" (76mm) to 6" (152mm) Offset Collar (part #812-3570), are tested to use 24 gauge single wall flue connector or listed double wall flue connector to Class A listed metal chimneys, or masonry chimneys meeting ICBO standards for solid fuel appliances.
4. The stove is approved for all 3" (76mm) or 4" (102mm) diameter listed pellet vent. It can be either vertically or horizontally vented.
5. Install vent at clearances specified by the vent manufacturer.
6. Be sure to secure exhaust venting system to the stove with at least three set screws. Also secure all connector pipe joints with at least three screws through each joint.

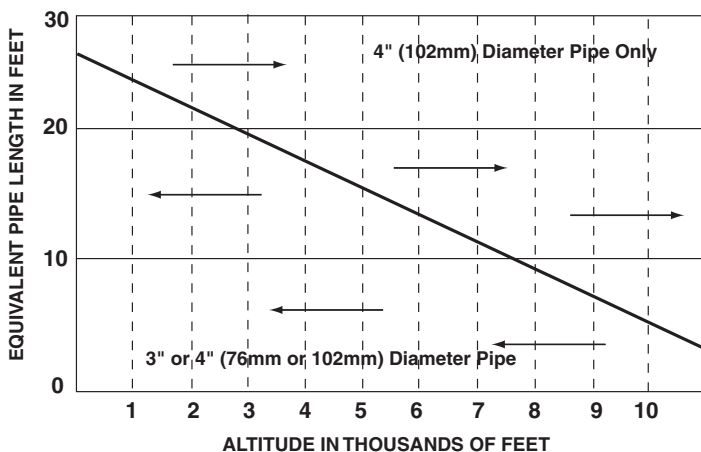
NOTE: All pipe must be sealed using welded seam pipe whenever possible. Seal pipe joints with high temperature silicone (500°F [260°C] minimum rated only).

VENT TERMINATION REQUIREMENTS

1. **Do not terminate vent** in any enclosed or semi-enclosed area such as a carport, garage, attic, crawl space, under a sun deck or porch, narrow walkway or closely fenced area, or any location that can build up a concentration of fumes such as a stairwell, covered breezeway, etc.
2. **Vent surfaces can get hot** enough to cause burns if touched. Noncombustible shielding or guards may be required.
3. **Termination must exhaust** above air inlet elevation. It is recommended that at least 5' (1.5m) of vertical pipe be installed when appliance is vented directly through a wall. This will create a natural draft, which will help prevent the possibility of smoke or odor venting into the home during appliance shutdown. It will also keep exhaust from causing a nuisance or hazard by exposing people or shrubs to high temperatures. The safest and preferred venting method is to extend the vent vertically through the roof.
4. **Venting should terminate** not less than 4' (1.2m) below, not less than 4' (1.2m) horizontally from, and not less than 1' (305mm) above doors and windows, or gravity or ventilation air inlets into the building.
5. **Distance between** bottom of termination and grade should be 1' (305mm) minimum. This is conditional upon plants in the area, and nature of grade surface. The grade surface must be a noncombustible material (i.e., rock, dirt). Distance between bottom of termination and public walkway should be 7' (2.1m) minimum.
6. **Distance to combustible materials** should be 2' (51mm) minimum. This includes adjacent buildings, fences,

VENTING GRAPH

When running vertically with pellet venting, the following chart can be used to determine whether to use 3" or 4" (7.6cm or 10.2cm) diameter pipe



VENTING PIPE TABLE

The table below can help you determine the equivalent feet of pipe used for venting when installing a pellet appliance.

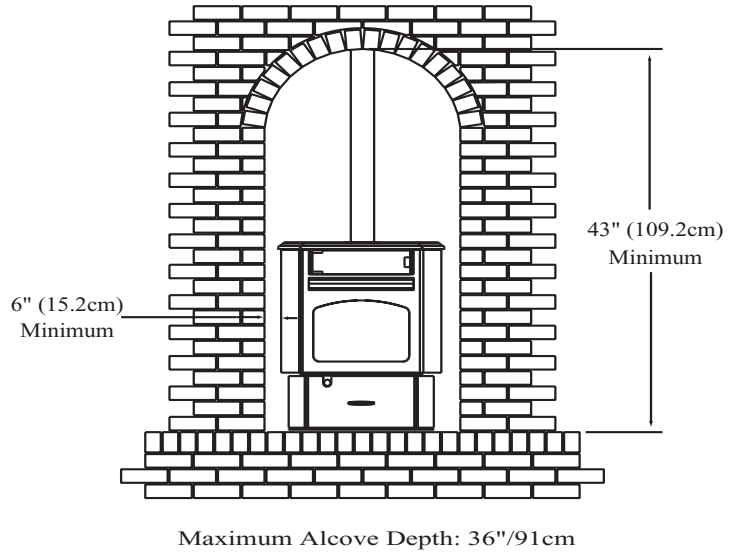
Pellet Venting Component	# of Elbows or Feet of Pipe	Multiplied By:	Equivalent Feet	Component Equivalent Feet
90° Elbow or Tee		x	5	
45° Elbow		x	3	
Horizontal Pipe		x	1	
Vertical Pipe		x	.5	
Total Equivalent Feet:				

VENTING SYSTEMS

A. ALCOVE

The Quadra-Fire Contour is approved for minimum alcove height of 43" (109.2cm), and a maximum alcove depth of 36" (91cm).

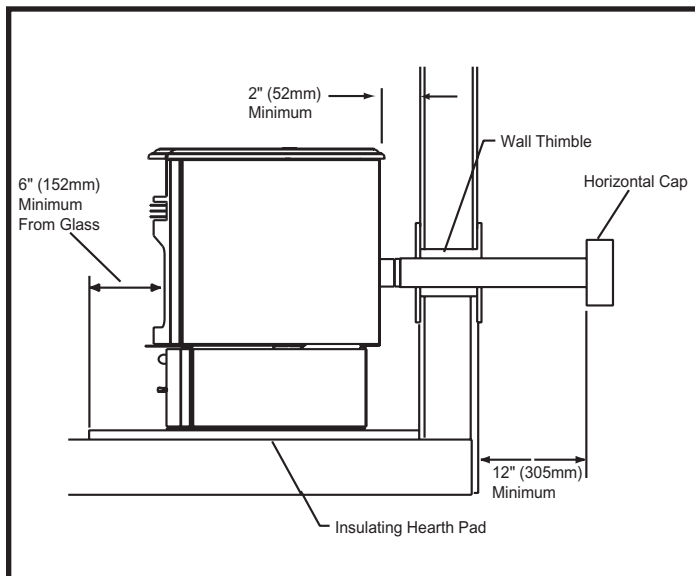
All minimums listed are to a combustible surface.



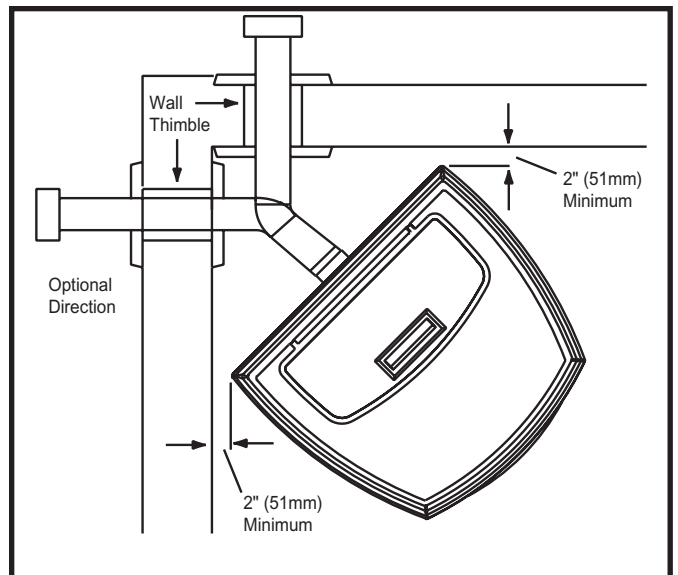
B. THROUGH THE WALL

We recommend going a minimum 5' (15.25cm) vertical, but above the eave is preferred. Horizontal termination must be 1' (30.5cm) from the wall.

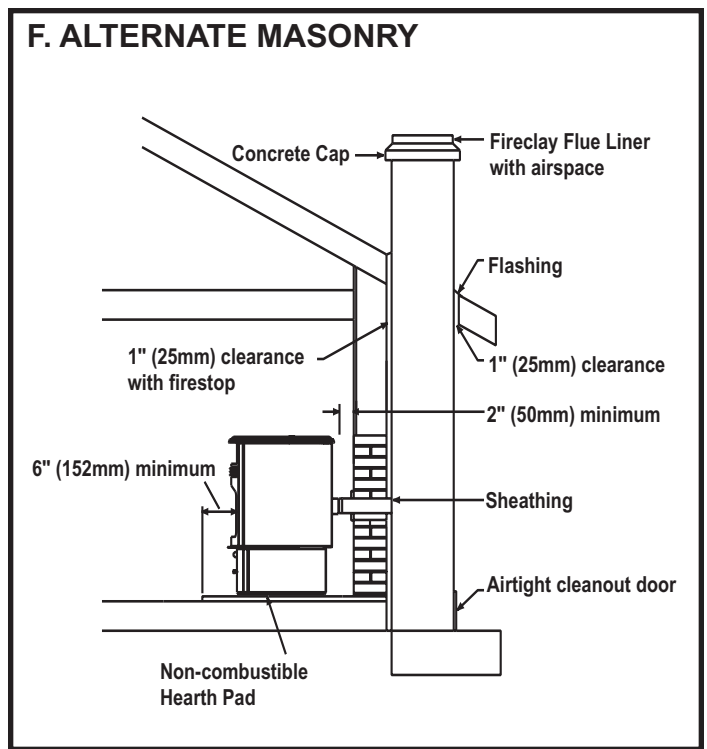
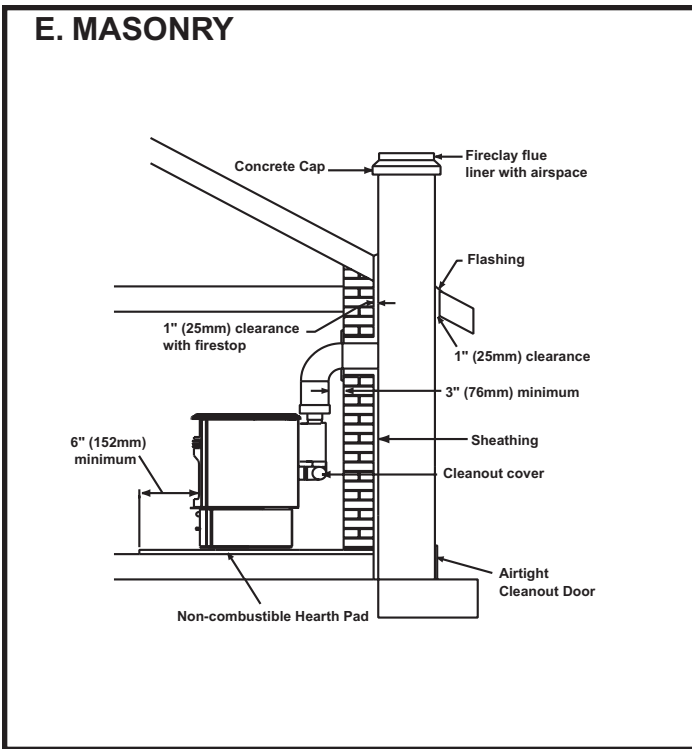
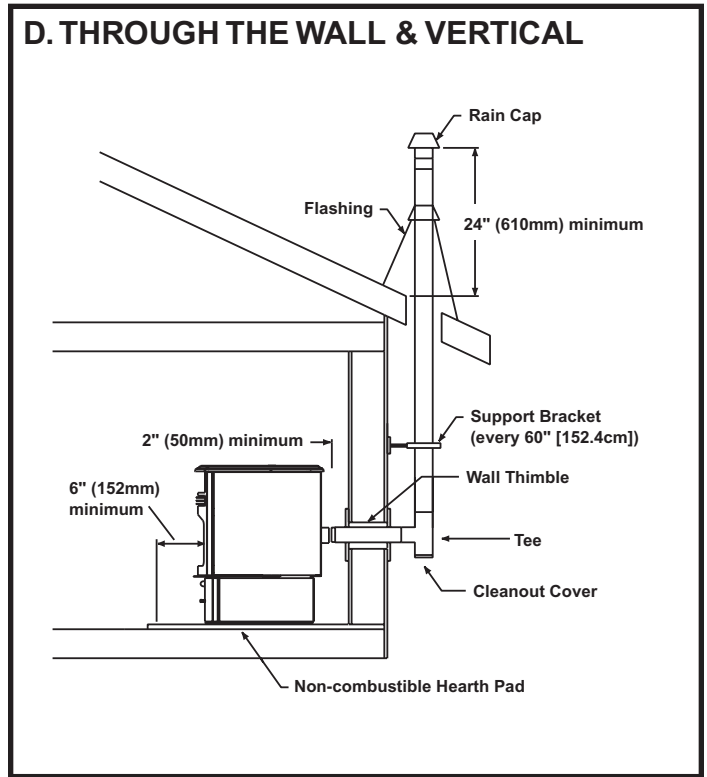
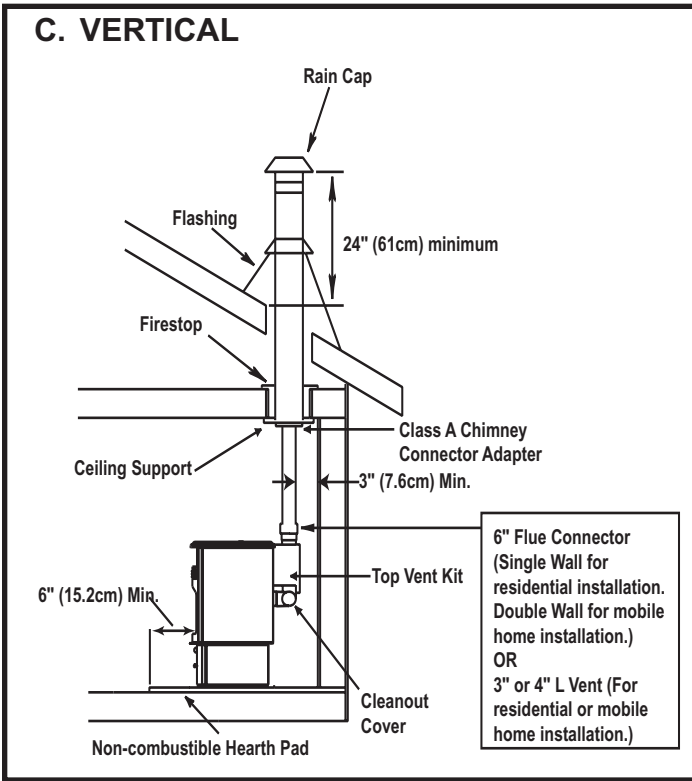
Straight Out



45 Degree



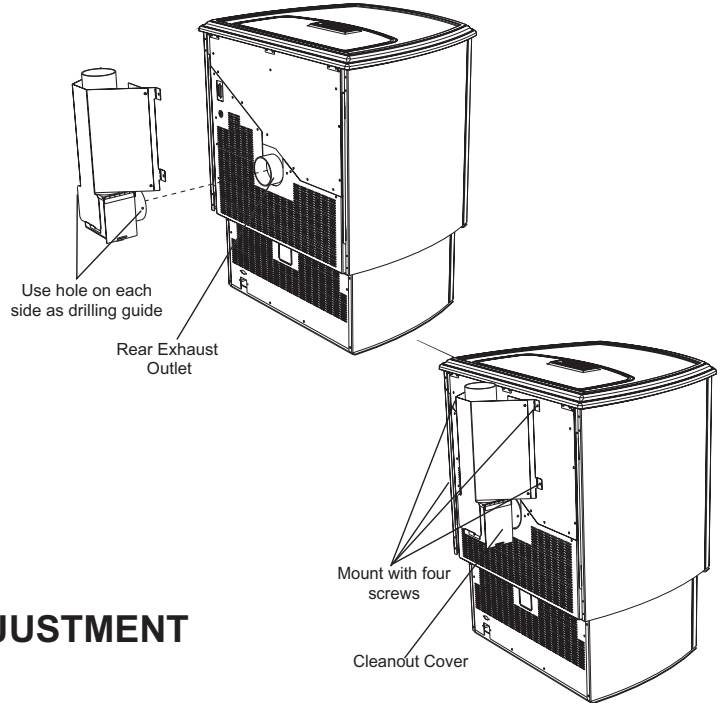
VENTING SYSTEMS, CONT'D.



TOP VENT FLUE ADAPTER INSTALLATION

Part #811-0860, 3"-3" Top Vent Adapter or Part #812-3570, 3"-6" Offset Collar

- 1) Put a layer of silicone on the 3" (76mm) exhaust outlet.
- 2) Slide the flue adapter onto the rear exhaust outlet.
- 3) Adjust the assembly to a vertical position.
- 4) Drill four holes with #26 drill bit (provided) into the back of the stove using the outer shield as a pattern (make sure the assembly is vertical).
- 5) Install the four mounting screws.
- 6) Drill two holes with #26 drill bit through the Rear Exhaust Outlet using the two holes already in the short horizontal pipe in the Top Vent Adapter as a guide. Install the two screws
- 7) Install the stove pipe into the adapter (be sure to silicone all joints).
- 8) To clean adapter, remove cleanout cover.



FEED ADJUSTMENT

NOTES:

The feed adjustment rod is factory set, and should be adequate for most fuels. However, if the flame height is too high or too low, follow the instructions below.

Loosen the set screw (**Fig. 1**) 1/4 to 1/2 turn during set-up of stove. This will allow movement of the Fuel Adjustment Rod. Do not re-tighten set screw.

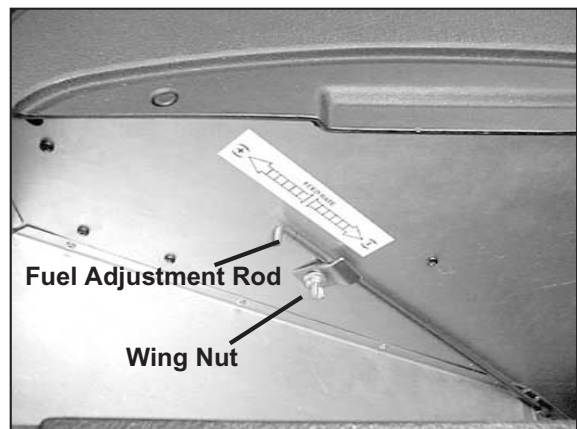
Adjust fuel adjustment rod after the stove has been burning for 10-15 minutes. The flames should be approximately 4"(102mm) above the firepot at high heat output setting.

- 1) Loosen the wing nut.
- 2) Adjust the fuel adjustment rod upward towards the "+" symbol, to increase the feed rate and flame height, or down towards the "-" symbol, to decrease the feed rate and flame height.
- 3) Re-tighten the wing nut.

FIGURE 1



FIGURE 2



LOG SET PLACEMENT INSTRUCTIONS

Part 811-0851 4 piece Log Set
Part 811-0900 Optional Firepot Twig

The logs are very fragile. You must use extreme care when handling or cleaning the logs.

Step 1: To expose the firebox open the door.

4 PIECE LOG SET INSTALLATION

Step 2: Position the Logs

Place the right rear log as shown. There is a notch in the bottom of the log for clearance for the Thermocouple and Thermocouple Cover (ceramic protection tube). **Fig. 1**

Continue placing the last 3 logs around the firepot as show in **Fig. 2, 3 and 4**. Be careful not to block the drop tube in the back of the firebox where pellets feed into the firepot.

OPTIONAL FIREPOT TWIG INSTALLATION

Step 3: Place the twig over the firepot. It will be about 2-1/2" above the firepot when in place. Notice the position of the twig as it rests on the 3 logs in a stable position to prevent it from falling into the firepot. There is also a charred area on the back of the twig, do not turn it toward the front. **Fig. 5**



Fig. 5

WARNING: Due to the abrasive nature of a pellet stove fire, the logs are not covered under warranty. Any placement variation other than shown here can cause excessive heat and shall void the stove warranty.

Fig. 1

notch

*Thermocouple
cover*



drop tube

Fig. 2



Fig. 3



Fig. 4



MOBILE HOME INSTALLATION

1. Do not install the stove in a sleeping room.
2. The structural integrity of the mobile home floor, walls and ceiling/roof must be maintained (i.e., do not cut through floor joists, wall studs, ceiling trusses, etc.).
3. An outside air inlet must be provided for the combustion air and be unrestricted while the stove is in use. Use Outside Air Kit (part #811-0871).
4. The combustion air duct system must be made of metal. It must permit zero clearance to combustible construction and prevent material from dropping into the inlet or into the area beneath the dwelling and contain a rodent screen.
5. The stove must be secured to the mobile home by bolting it to the floor (using lag bolts).
6. The stove must be grounded with #8 copper grounding wire or equivalent, terminated at each end with an NEC approved grounding device.
7. Refer to Clearances to Combustibles Section on page 4 for listings to combustibles and appropriate chimney systems.
8. Seal all wall and floor inlets to prevent air or moisture penetration. Check periodically to ensure the inlet is free of obstruction (e.g., snow, ice).
9. Installation should be in accordance with the Manufactured Home and Safety Standard (HUD), CFR 3280, Part 24.

THERMOSTAT INSTALLATION

1. A 24 volt AC thermostat is required to operate this pellet stove and is included. It is equipped with an adjustable heat anticipator. The current rating is .05 amps. The anticipator needs to be adjusted to the lowest setting available.
2. When mounting a thermostat on a wall, be sure to follow your thermostat installation instructions carefully.

NOTE: Be sure the thermostat is mounted level for accurate readings. The thermostat should be mounted on an inside wall and not in direct line with the stove convection air.

NOTE: If the thermostat is located too close to the stove, you may need to set the temperature setting slightly higher to maintain the desired temperature in your home.

3. There is a four screw terminal block located on the back of the stove beside the power cord inlet. The center two screws are for the thermostat wires.

OPERATING INSTRUCTIONS

1. FUEL SIZE AND MATERIAL

Wood Pellets

Fuel pellets are made from sawdust or wood by-products. If the source material is hardwood, they will have a higher mineral content, creating a heavier ash. Minerals and other noncombustible materials, such as sand, will turn into glass when heated to the extreme temperatures our firepot reaches. This is what forms clinkers in the bottom of the firepot. Trees from different areas will vary in mineral content. That is why some fuels produce more clinkers than others. Pellets are manufactured in either 1/4" (6mm) or 5/16" (8mm) diameter and many varying lengths. Pellet lengths may even vary by lot from the same manufacturer which is why the feed rate may need to be adjusted occasionally. We recommend that you buy fuel in multi-ton lots whenever possible. Buying large quantities of fuel at once will greatly reduce the number of times the feed adjustments will need to be made. However, we do recommend trying various brands before purchasing multi-ton lots to ensure customer satisfaction.

Shelled Field Corn

Extensive factory and field testing has demonstrated shelled field corn to be an efficient and very economical fuel. We recommend the use of a 50-50 blend of corn and wood pellets. The only change in operation is that the feed rate may require a slight adjustment. The BTU output of the appliance varies slightly compared to pellets, depending on the quality of the corn used. In cases where it is acceptable for the stove to run full time, 100% corn will work after the fire has been started using wood pellets.

2. BEFORE YOUR FIRST FIRE

- a. First, make sure your stove has been properly installed and that all safety requirements have been met. Pay particular attention to the fire protection, venting and thermostat installation instructions.
- b. Now open the front door of the stove and remove all of the accessories that were placed there for shipment. **Remove any labels that may be affixed to the glass.**
- c. Check the position of the Thermocouple and make sure that it protrudes approximately 1" (2.5cm) into the firepot. It may be necessary to slide the Thermocouple and Thermocouple Cover (ceramic protection tube) into their proper positions. Now close the front door. **NOTE: Thermocouple Cover tip must be touching the tip of the Thermocouple.**

OPERATING INSTRUCTIONS

- d. Check that all accessories have been removed before filling the hopper with pellets and loosen set screw located at the bottom of the hopper so that the feed rate adjustment rod will slide up and down by only loosening the wing nut at the top. **See Figure 1, page 9.**
- e. A thermostat is required for proper operation of this stove. At this time, set the thermostat to its lowest setting.

3. START YOUR FIRST FIRE

- a. Now plug the stove in. The combustion blower will come on. Even though the thermostat is not calling for heat, the combustion blower will stay on for approximately 10 minutes. This is normal.
- b. Next, find the heat output control switch; it is mounted on the back of the stove in the upper right hand corner. **See Fig. A.** Switch it to the high setting by pushing the top of the switch in, then adjust the thermostat to its highest setting. With the right side panel opened, the red light located to the left of the control box is now visible and will be on. This will indicate that the thermostat is calling for heat.
- c. The fuel feed system and the igniter are now turned on.
- d. For your first fire, it will be necessary to press the reset button (located just beneath the heat output switch on the back of the stove) once approximately two minutes after start up, and again at five minutes. This will fill the feed system and allow the stove to light.
- e. The stove will now continue to run as long as the thermostat is calling for heat. Once the stove has ignited, let the stove burn for approximately 15 minutes, then set the thermostat to the desired room temperature. Adjust the heat output control to the desired setting

4. GENERAL OPERATION INFORMATION

- a. Understand that the stove is like most modern furnaces in that when the thermostat calls for heat, your stove will automatically light and deliver heat in the most efficient and economical way. When the room is up to temperature and the thermostat is satisfied, the stove will turn off. This stove is equipped with a heat output control that has three settings or burn rates: low, medium and high. Essentially the stove operates the same on all three burn rates. The stove will turn on and off as the thermostat demands. However, with the stove set on the lower settings, the burn times will be longer.

OPERATING INSTRUCTIONS

- b. Once all of the start-up procedures have been completed, simply set the thermostat to a comfortable setting and enjoy the stove. But remember, you will have to add pellets. The thermostat's location will have some effect on the stove's operation. When the thermostat is located close to the stove, it may require a slightly higher temperature setting to keep the rest of the house comfortable. If the thermostat location is upstairs while the stove is downstairs, you will notice higher temperatures near the stove.
- c. During each ignition cycle, it is normal to see some smoke. The smoke will stop once the fire starts.
- d. After your stove has been burning for approximately 10 minutes, the convection blower will automatically turn on. This blower transfers heat from your stove into the room, and will continue to run after the thermostat has stopped calling for heat until all of the heat has been extracted from the stove.
- e. Occasionally, the stove may run out of fuel and shut itself down. If this happens, the red light will be on. To restart the stove, fill the hopper and press the reset button next to the heat output switch. (Refer to item #5, and Fig. A for location.) When you press the reset button the red light will go out, and when the button is released the light will come back on. You should see a fire in about four minutes. If not, press the reset button again.

5. HEAT OUTPUT CONTROLS

Located on the right rear of stove is the Heat Output Control Switch (rocker switch). **See Fig. A below.**

Fig. A



CLEANING AND MAINTENANCE

NOTE: Unplug the stove before performing any cleaning or maintenance

1. FIREPOT

- a. It takes very little time to clean the firepot. We recommend that you clean the firepot daily. However, if the fuel you are burning has a high dirt content, it will be necessary to clean the firepot more often. Dirty fuel will cause clinkers to form in the firepot. A clinker is formed when dirt or a nonburnable substance is heated to 2000°F (1093°C) and becomes glass-like.

b. To clean the firepot:

1. Wait for stove to be in complete shutdown (exhaust blower off).
2. Pull firepot cleaning rod out, then push back into the closed position. This can be done a couple times to help shake debris loose.
3. Periodically the pedestal ash drawer will need to be emptied. Lift the drawer handle slightly and pull outward. Empty into a non-combustible container and reinstall ash drawer.

NOTE: NEVER pull rod when stove is operating.

2. FIREBOX ASH REMOVAL

- a. Clean as needed due to ash buildup.
- b. Allow stove to cool completely.
- c. Ensure there are no hot ashes in the firebox prior to cleaning.
- d. Remove ash with an ash vacuum or small dust pan and place ash in a metal or non-combustible container.

NOTE: Embers remain hot for many days. Store container in a safe place away from combustibles.

3. HEAT EXCHANGER MAINTENANCE AND CLEANING

- a. This stove has two heat exchange chambers. Each chamber is equipped with its own cleaning rod. To access the cleaning rods, open the front door. Both pull rods are located next to the face of the stove. To clean, pull the rod straight out approximately 10" (254mm). Move the rod in and out a couple of times.

b. HOW OFTEN SHOULD YOU CLEAN THE HEAT EXCHANGER?

The amount of ash buildup in the firepot will be a good guide to determine how often you should clean the heat exchangers. Typically, you should clean the heat exchangers at least once a week. This will keep your stove running at peak efficiency. Also, after burning approximately one ton of fuel, the ash will need to be removed from beneath the heat exchangers.

- c. Remove Top Baffle. There is a latch to keep the Top Baffle from coming out when cleaning the Heat Exchangers. Push the latch up with your finger while sliding the Top Baffle toward you, it will then drop out. (**Refer to Top Baffle Removal Instructions, page 25, Figure 1 and 2**). Remove both cast firebrick panels. At the top of each panel is a tab. First lift, then pull outward. With baffle and panels removed from stove a thorough cleaning can now be performed. Pull the Heat Exchanger cleaning rods out and in to clean the uppermost portion of the Heat Exchanger Tubes. This area is only accessible when the baffle is removed from the stove. Reinstall panels and baffle and latch when finished cleaning.

4. VENTING SYSTEM

The venting system should be inspected and cleaned at least once a year, or more often depending upon the quality of your fuel. If you are experiencing nuisance shutdowns, check for a clogged exhaust system. If the exhaust is restricted, the vacuum safety switch will shut the feed motor off (the red light will remain on).

5. DOOR LATCH ADJUSTMENT

To adjust, open the latch and pivot the holding rod out. Now loosen the jam nut on the rod. With a Phillips head screwdriver, turn the rod clockwise to tighten. The latch handle should snap securely in place when adjusted properly. After adjusting the latch, be sure to tighten the jam nut on the rod to hold the adjustment.

CLEANING AND MAINTENANCE CONT'D

6. BLOWERS

- a. There are two blowers in this stove: an exhaust blower that vacates the exhaust out of the firebox, and a convection blower that delivers heat into the room. **THESE BLOWERS REQUIRE NO LUBRICATION.**
- b. The exhaust blower is located on the right side of the stove. To inspect it, open the right side access panel.

NOTE: The impeller on the motor can be cleaned and inspected when performing heat exchanger maintenance and cleaning.

- c. The convection blower on the floor at the back of the stove has two impellers, one on each side of the motor. They should be cleaned at least once each year. Brush and vacuum the impellers from both sides.

7. READING THE FIRE AND ADJUSTMENT PROCEDURES

A properly adjusted fire with the heat output control set on high has a short active flame pattern that extends out of the firepot approximately 4 inches (102mm). If the fire has tall flames with black tails and seems somewhat lazy, the feed rate will need to be reduced. This is done by sliding the feed adjustment plate down, which will reduce the feed. If the fire is not 4 inches (102mm), slide feed plate up to increase the feed. Allow five minutes for feed adjustment to take effect.

8. SOOT AND FLY ASH - FORMATION AND NEED FOR REMOVAL

The products of combustion will contain small particles of fly ash. The fly ash will collect in the exhaust venting system and restrict the flow of the flue gases. Incomplete combustion, such as occurs during start-up, shutdown, or incorrect operation of the room heater will lead to some soot formation, which will collect in the exhaust venting system. The exhaust venting system should be inspected at least once every year to determine if cleaning is necessary.

COMPONENT INFORMATION

1. POWER SUPPLY

- a. Check the wall receptacle for 120 volt, 60 Hz (standard current). Make sure the outlet is grounded and has the correct polarity.

2. FUSE

- a. The fuse is on the front of the junction box, located on the right side of the stove. To access fuse, open the right side panel. To inspect the fuse, push the fuse holder in and turn the holder cap counterclockwise, then pull out. Replace with a standard 7 amp 120 volt fuse, if necessary. If the fuse continues to blow, contact your local dealer.

3. RED CALL LIGHT

- a. The red call light is located on the right side next to the fuse. The function of the red call light is to indicate that the thermostat is calling for heat.
- b. If the thermostat is calling for heat, the stove is burning, and the light is not on, check the bulb. Replace with a 28 volt AC (#85 lamp) bulb.

4. RESET BUTTON

- a. The reset button is located on the back of the stove in the upper right hand corner just below the heat output switch (**see Fig. A on page 12**). The function of the button is to momentarily open the thermostat circuit, which restarts the system. However, this will only work when the thermostat is calling for heat and the red light is on.
- b. If the light is on, there is no fire, and there is fuel in the firepot, push the reset button and wait for ignition. You should have a fire within five minutes.
- c. If the light does not go out when the reset button is pushed, the reset button switch may be faulty. Contact your local dealer.

5. VACUUM SWITCH

- a. The vacuum switch is located on the right side of the stove. This switch turns the feed system on when vacuum is present in the firebox. Check the rubber hose for leaks or cracks if the feed system fails to start. Also, be sure there is no restriction in the exhaust system and the exhaust blower is running. The vacuum switch is a safety device to shut off the feed motor under the conditions below.

- b. If the exhaust or the heat exchanger system is dirty or plugged, the vacuum switch will keep the feed system from starting.
- c. If the firebox door is open, the vacuum switch will keep the feed system from starting.

6. JUNCTION BOX AND WIRING HARNESS

- a. The junction box is located on the right side of the stove. It contains the heat output controls, reset button, call light and fuse holder.
- b. The junction box and the wiring harness are replaced as one component.

7. THERMOSTAT

- a. The stove is designed to run on a 24 volt AC thermostat.

NOTE: The heat anticipator should be set on the lowest setting available. Also, check the wire leads at the terminal block located at the back of the stove for loose connections.

8. CONTROL BOX

- a. The control box plugs into the side of the junction box. It is secured by a retainer bracket for shipping purposes only. To access the control box, simply bend the retainer bracket out of the way.

Note: After 2 or 3 bends, the bracket will break off. Discard the broken piece.

If the stove has just been plugged in and the combustion blower does not start, check snap disc #3, then check to make sure the stove is plugged in. Next, check the control box to see that it is securely plugged in. Also check the fuse to see that it is not blown. If this does not solve the problem, consult your local dealer.

NOTE: To see the temperature indicator lights, the right side panel must be open.

- b. The green light located on the top of the control box notifies you that the stove has reached a temperature of 200°F (93°C) in the firepot. After the stove is lit, if this light does not light in the first four minutes of operation, the stove will shut down. Check the thermocouple.
- c. The red light located in front of the green light is to indicate that the stove has reached operating

COMPONENT INFORMATION, CONT'D.

temperature. If this light does not come on in the first nine minutes of start-up, the stove will shut down. The stove will not try to relight again by itself. You must manually push the reset button to reset the cycle.

- d. If you suspect a problem with the control box, disconnect the power supply from the stove, then remove the control box and take it to your nearest Quadra-Fire dealer for testing.

NOTE: Do not open the control box. This will void the warranty. Do not plug in or remove control box without first unplugging the stove.

9. THERMOCOUPLE

- a. The thermocouple is located on top of the firepot inside the ceramic protection tube. Remove the ceramic tube and inspect the thermocouple for deterioration or breakage.
- b. Check the transition from thermocouple to wire to see if they are tight and making a good electrical connection (located on the right side of the fire box behind the right side panel).
- c. Upon reinstalling the ceramic cover, be sure the thermocouple is touching the inside end of the ceramic tube and that the cover is extending 1" (25mm) into the firepot.
- d. The thermocouple sends a millivolt signal to the control box to obtain the green and red lights for the preset temperatures.

10. SNAP DISC #1 (CONVECTION BLOWER) 125°F

- a. Snap disc #1 is located on the right side of the stove, on the bottom of the heat exchanger box. Two purple wires are connected to it. This snap disc turns the convection blower (heated air) on and off as needed. Power is always present at snap disc #1.

11. SNAP DISC #2 (THERMOSTAT OVERRIDE) 200°F

- a. Snap disc #2 is also located on the right side of the stove, below snap disc #1. Two yellow wires are connected to it. This snap disc will bypass the thermostat and turn off the stove if an overheat condition occurs, or if the convection blower should fail to operate. The stove will go into a normal shutdown: the combustion blower will run

for ten minutes, then turn off. After the stove cools, the snap disc will automatically reset itself and the stove will relight.

12. SNAP DISC #3 (BACKBURN PROTECTOR) 250°F

- a. Snap disc #3 is mounted on the back of the auger tube in the center of the stove. To access it, open the right side panel. If, for any reason, the fire tries to burn back into the feed system or push exhaust up the feed tube, this snap disc will shut the entire system off. However, sometimes in shipment the disc will trip and shut power off to the entire stove. Power failures and surges can also trip this disc. To reset, unplug the stove from outlet and push in the red reset button in the center of the snap disc, then plug the stove back in and try to relight it.

13. BLOWER #1 (EXHAUST BLOWER)

- a. The 70 cfm exhaust blower is located on the right side of the stove. The exhaust blower is designed to pull the exhaust from the stove and push it out through the venting system. To inspect it, open the right side panel (facing the stove from the front). The motor may now be visually inspected. To inspect the impeller refer to the heat exchanger maintenance cleaning section.

14. BLOWER #2 (CONVECTION BLOWER)

- a. The 160 cfm convection blower is mounted at the rear of the stove. There are two impellers, one on each side of the motor. The convection blower blows heated air through the heat exchange system into the room.
- b. To replace this blower, remove the lower rear screen then unplug the molex connector, lift on the rear of the motor slightly, just enough so the grommets on the rear will clear the two studs. Pull straight out.

15. FEED SYSTEM

- a. The feed system is located on the right side of the stove and can be removed as an entire assembly which includes the feed motor, its mounting bracket bearing, and feed spring (auger). To do this, remove two Phillips head screws located next to the nylon bearing and the whole feed system will pull straight out. This system uses a hollow

COMPONENT INFORMATION (CONT'D.)

auger spring to pull pellets up the feed tube from the hopper area and drop them down the feed chute into the firepot. If you are having fuel problems, check the following:

1. Check the ramp in the firebox to see that it is free of fuel or other materials.
2. Check the set screw on the end of the motor shaft to see that it is tight and not slipping.
3. Check the electrical power to motor.
4. Check the vacuum switch hose connections.

16. IGNITER

NOTE: For your convenience, a spare ignitor has been provided in the component package. It is suggested that you keep a spare on hand. Reorder from your dealer.

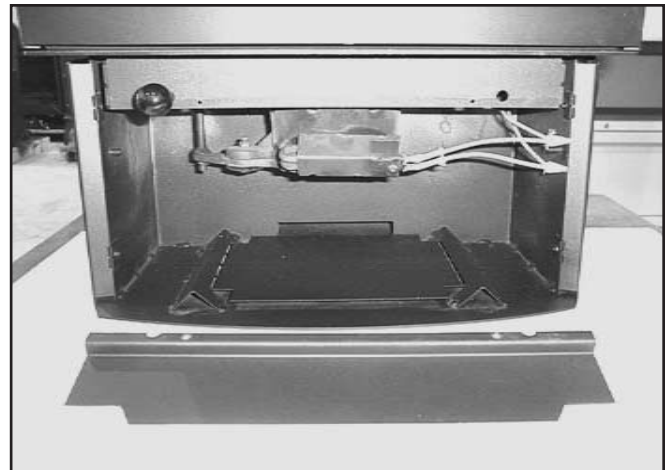
- a. The igniter is mounted on the firepot. To inspect the igniter, remove the ash drawer from the pedestal. With this drawer removed, remove the firepot heat shield. This is a flat plate mounted with two Phillips head screws. You can now inspect both the igniter and firepot, and have gained access for removal or replacement of either part.
- b. Check the wire leads to the igniter for loose or bad connections (ceramic wire nuts).

NOTE: Unplug stove before checking wire nuts.

INSTRUCTIONS FOR CHANGING THE IGNITER

1. UNPLUG THE STOVE.
2. Remove the bottom ash drawer. Use a Phillips head screwdriver and remove the two screws that secure the firepot guard. The guard is located just beneath the ash catcher in front of the firepot. With the guard removed, the ignition chamber on the firepot and the wiring is now exposed. The wires are connected together with two ceramic wire nuts. These wires will pull forward approximately four to five inches.
3. Holding the wires, turn the wire nut counter-clockwise to remove the wire nuts.
4. With nuts removed and wires separated, remove the igniter from the chamber: use a Phillips screwdriver to remove the single screw and slide the igniter out.
5. Install new igniter into the chamber.

6. Reconnect the wire to the two leads in any order.
7. Reinstall the ceramic wire nuts by turning clockwise.
8. Open right side panel and pull the wire leads back toward the rear of the stove to take-up the four to five inches pulled out previously. This will keep the wires out of the way of the ash drawer.
9. Reinstall firepot guard and ash drawer and reconnect the power.



17. FIREPOT

- a. Clean the firepot (**see section on Cleaning and Maintenance on page 13**).
- b. When inspecting the firepot, make sure that the firepot floor is closing completely. Then see that the bottom floor is closing with no visible gaps, and is free of any ash or debris.

18. DOOR GASKET

- a. To inspect the door gasket, open the door and see that the door rope extends approximately 1/8" to 3/16" from the door rope channel. It should show signs of compaction all the way around the door where the rope contacts the face of the stove.

19. HEAT EXCHANGERS

- a. The heat exchangers (one on each side) can be accessed by removing the top stainless steel baffle. Each heat exchanger has a cleanout rod located in the center of the heat exchanger. To clean heat exchanger **see page 13, Heat Exchanger Maintenance and Cleaning**.

TROUBLESHOOTING

CAUTION: UNPLUG STOVE BEFORE SERVICING

1. PLUG IN STOVE, NO RESPONSE

- a. Check the power supply for 120 volts AC.
- b. Check the fuse in the junction box (7 amp, 120 volt fuse AGC-7).
- c. Check snap disc #3 (unplug stove before checking). Push reset on snap disc #3.
- d. Control box (consult your dealer).

2. CALL LIGHT ON, NO FIRE, NO FUEL IN FIREPOT

- a. Check the hopper for fuel, sawdust or bridging of pellets in the bottom of the hopper. If the hopper is low on fuel, vacuum can be lost through the hopper.

NOTE: Sometimes there might still be fuel in the hopper. If so, continue to check the areas below.

- b. Make sure that the exhaust blower is operating.
- c. Check the venting system for obstructions that might cause restrictions, which would cause the vacuum safety switch to shut off the auger.
- d. Check the heat exchanger system for high ash content. If buildup is present, clean the heat exchanger system.
- e. Push the reset button and try, to light the stove again.

3. CALL LIGHT ON, NO FIRE, PARTIALLY-BURNED FUEL IN THE FIREPOT

- a. Clean the firepot.
- b. Check the hopper for fuel or bridging problems, as the firepot may not have received enough fuel to start.
- c. Inspect the thermocouple and cover for the following:
 1. The cover needs to be making contact with the end of the thermocouple.
 2. The thermocouple and the cover should extend approximately 1" (25mm) into the firepot (for accurate temperature reading).
 3. Push the reset button. When the thermocouple reaches 200°F (93°C) the GREEN LIGHT will come on, and at 600°F (316°C) the RED LIGHT will come on.

NOTE: If the lights fail to come on after the fire starts, the thermocouple may be faulty.

- d. If the thermocouple appears good, the control box may be the problem (consult your dealer).

4. CALL LIGHT ON, NO FIRE, UNBURNED PELLETS IN FIREPOT

- a. Clean the firepot.
- b. Push the reset button.
- c. Check the igniter to see that it comes on (see a glow in the firepot). If it does not turn on, check the following:
 1. Check the connections under the firepot. (Ceramic wire nuts must be used to withstand the heat produced by the firepot.)
 2. Make sure that the igniter is property installed in the igniter bracket.

5. SLOW OR SMOKY START-UP

- a. Clean the firepot.
- b. Check the combustion blower (make sure that it is starting when the thermostat calls for heat).
- c. Visually check the cleanliness of the firebox, the heat exchangers and the venting system.
- d. The feed rate may be too high. If necessary, adjust with the fuel adjustment rod located in the hopper.

6. STOVE RUNS FOR 10 MINUTES, THEN STOPS FEEDING FUEL

- a. Inspect the thermocouple and the cover.
 1. The cover needs to make contact with the end of the thermocouple.
 2. The thermocouple and the cover should extend approximately 1" (25mm) into the firepot.
 3. Push the reset button. The thermocouple test lights located on the control box will automatically turn on; when the thermocouple reaches 200°F (93°C) the GREEN LIGHT comes on, and at 600°F

TROUBLESHOOTING (CONT'D.)

(316°C) the RED LIGHT comes on. If they fail to turn on after the fire starts, the thermocouple may need replacement.

4. Check the control box (consult dealer).

7. FEED SYSTEM FAILS TO START

- a. Make sure that the front door to the firebox is closed tightly.
- b. Check to make sure that the exhaust blower is coming on and working.
- c. Adjust heat output control to high.
- d. Check the heat exchangers and the venting system for obstructions or heavy ash buildup.
- e. The vacuum switch hose may be plugged.

NOTE: Unplug stove from power outlet first.

Pull the hose off and blow through it to make sure it is clear.

- f. Downdrafts or poor venting systems that do not follow manufacturers recommendations can also cause this problem.
- g. Check the hopper and the feed system for blockage.

8. THERMOSTAT WILL NOT START UNIT

- a. Check the power to the stove.
 1. Unplug for 10 seconds and then plug in. The exhaust blower should come on. If it does, go to 8b. If not, see Troubleshooting item #1.
- b. The thermostat or the thermostat wiring may be faulty.
 1. Disconnect the thermostat wires from the terminal block located on the back of the stove. Make a jumper wire in order to create a manual bypass to determine if the stove or the thermostat is faulty.

NOTE: Unplug the stove while hooking up the jumper wire. Plug the stove back in and the unit should come back on and light. If the unit lights, check the thermostat and the wires connecting them.

- c. Snap disc #2 would bypass the thermostat if an overheat situation occurs. The snap disc should reset itself once it cools down.
- d. Snap disc #3 may need to be manually reset if the unit has overheated.
- e. Check the control box (consult dealer).

9. UNIT FAILS TO SHUT OFF

- a. Check the thermostat and the thermostat wires.
 1. Remove one of the thermostat wires from the terminal block; the stove should go into a normal shutdown cycle. If it does, the problem is in the thermostat or the thermostat wiring.
- b. Check the control box (consult dealer).
- c. Check the junction box (consult dealer).

10. SMOKE FROM THE CONVECTION AIR OUTLET

- a. Check the exhaust blower housing and **ALL** venting connections.
- b. Most problems with smoke in the house are the result of a poor venting system or unsealed joints.

11. CONVECTION BLOWER KEEPS RUNNING OR FAILS TO START

- a. Snap disc #1 may need to be replaced.
- b. Check the wire connections on snap disc #1 and the convection fan to be sure a good contact is being made.
- c. Check the convection blower.

12. STOVE CYCLES ON AND OFF, THERMOSTAT ALWAYS ON

- a. Check that snap disc #1 is coming on and turning the convection blower on. If not, snap disc #2 could be bypassing the thermostat until the snap disc cools and resets itself.

TROUBLESHOOTING (CONT'D)

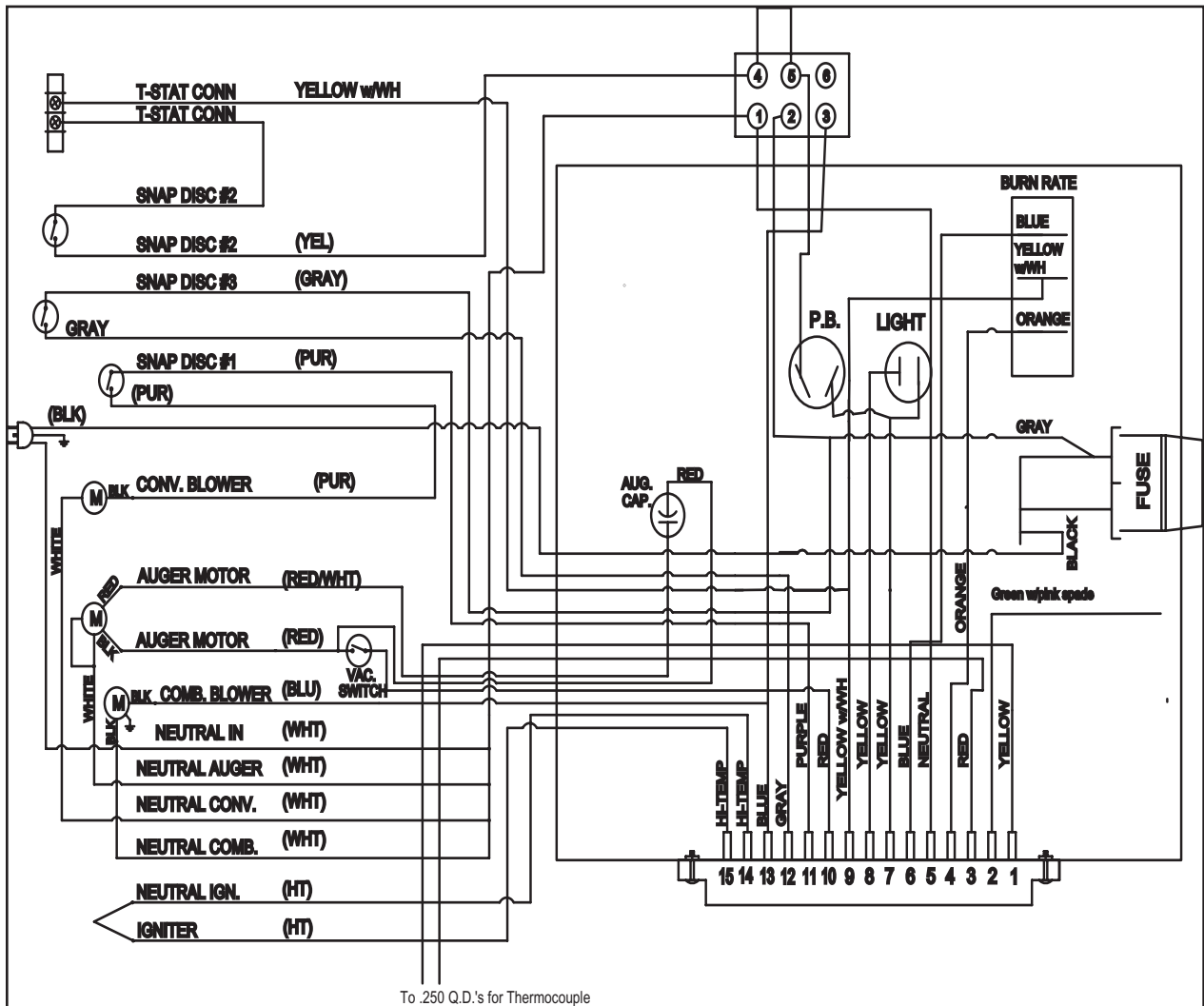
13. LARGE FIRE, ASH BUILDUP AND DIRTY GLASS

- a. Clean the firepot.
- b. Visually check the cleanliness of the firebox, the heat exchangers and venting system.
- c. Reduce the feed rate, if necessary.

14. UNIT BURNING, NO CALL LIGHT

- a. Replace light bulb (#85 lamp).

WIRING HARNESS



Outside Air Kit Instructions Part #811-0871

Parts Included in Kit: 1 piece of 2"x3' flex hose, 2 hose clamps, 1 collar assembly, 1 termination cap assembly, 1 trim ring, 12 screws (Discard air channel).

Tools Needed: Phillips Screwdriver; Wire Cutters; Hole Saw or Jig Saw.

The Contour Pellet Stove has 2 different mounting configurations on the back of the stove for installing the Outside Air Kit. Identify which type you have and follow the appropriate instructions.

PRE-CUT HOLE in back of stove (**Fig. 2**), attach the Collar Assembly to outside of stove as shown in (**Fig 3**).
SQUARE COVER PLATE, (**Fig 4**) attach Collar Assembly inside stove as shown in (**Fig 5**).

Instructions:

1. Open left side panel to access the inside rear area of stove (Square Cover Plate only). Attach Collar Assembly. **See Fig. 5**
2. Measure distance from floor to air vent opening in stove and mark location on wall. Use saw to cut opening in wall. Cut a 2-1/2" to 3" opening on inside wall and a 3" to 3-1/2" opening on outside of house.
3. Use hose clamp to secure flex pipe to Collar Assembly.
4. Slide trim ring over flex pipe and run pipe through wall.
5. Attach hose to outside termination cap with second hose clamp.
6. Secure termination cap to outside surface.
7. Secure trim ring to interior wall.

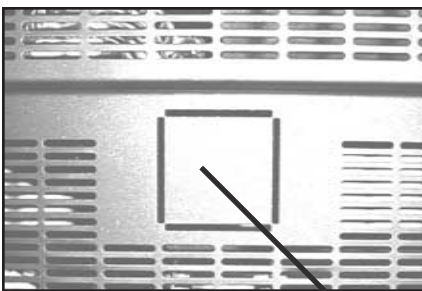
Fig. 2



Fig. 3



Fig. 4



Snip corners and remove plate.

Fig. 5



Attach Collar Assembly over hole.

Termination Cap with Rodent Screen



Hose Clamp



Trim Ring



Fig. 1

Flex Hose



Hose Clamp



Collar Assembly



TRIM RING INSTALLATION INSTRUCTIONS**Part #811-0820****Kit Contents:** Trim Ring (1); 8-32 Nuts (6)**Tools Required:** Phillips head screwdriver; 11/32" wrench or nut driver; small screwdriver or punch.

NOTE: Front Face and Door can be removed from stove while attached together, or you may leave the Door on the hinges while you remove the Front Face from the Door.

- 1 If leaving the Door on the hinges, hold the Front Face in place while removing the screws from Grille so that it does not fall forward and potentially become damaged. Remove Grille and set aside. **See Fig. 1**

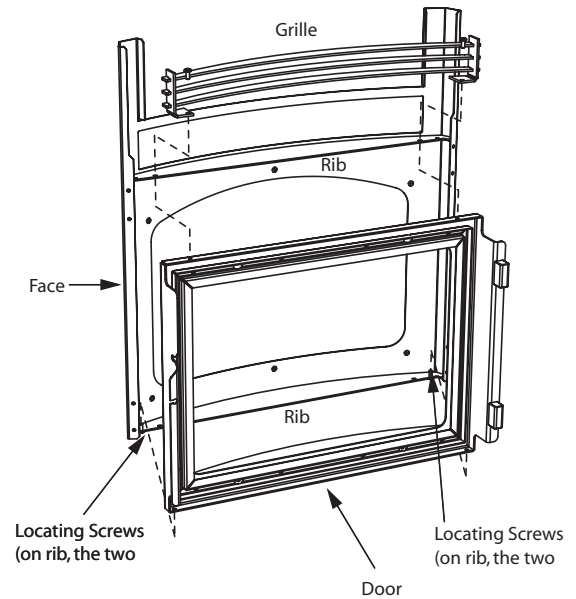
2. Tilt the top of the Front Face forward until the top rib clears the door, then slide the face down until the locating screws on the bottom rib are completely out of the door.

See Fig. 2

3. Lay Front Face on protective surface, face side down. Use a small screwdriver or punch to push filler buttons out. **See Fig. 3**

NOTE: The holding tabs on the back side of the buttons have been bent over to secure for shipping. You must bend the tabs back up to remove the buttons.

- 4 Touch-up area around holes with paint supplied with stove.

FIG. 1**FIG. 2****FIG. 3**

TRIM RING INSTRUCTIONS, CONT'D

6. Turn the Front Face over so it is face side up. Beginning with one straight side of trim ring first, place the studs on the trim ring into the holes on the Front Face. After the first two studs have dropped into their holes, carefully lay the trim ring down until all of the studs are in place. **See Fig. 4.**
7. While holding the trim ring in place, turn the Front Face over and lay on protective surface to prevent the trim ring from getting scratched. **See Fig. 5**
8. Place nuts on all six studs, and gently snug them down.
9. To re-assemble, simply reverse steps 1-3.

FIG. 4

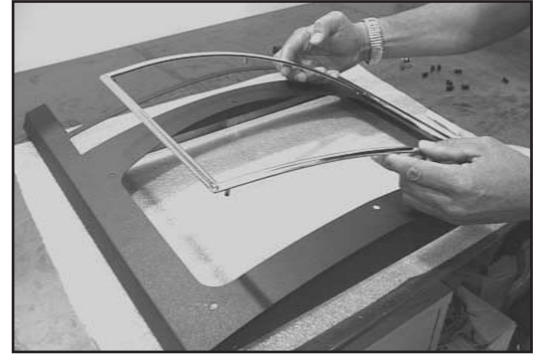
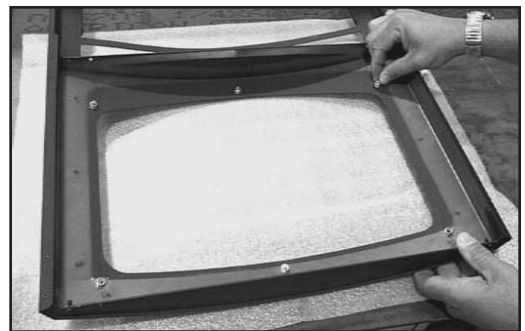
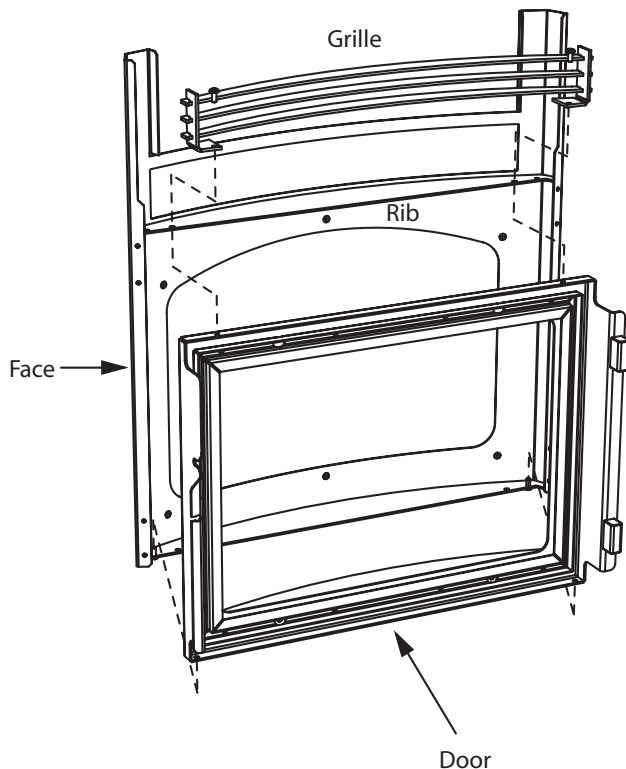


FIG. 5



Gold Grille Installation Instructions Part #811-0830



KIT CONTENTS: (1) Gold Grille

TOOLS NEEDED: Phillips head screwdriver.

1. The screws secure the Front Face and Grille to the Door. When removing the two screws, hold the Door and Front Face together so that neither will fall causing potential damage. Save the screws.
2. Install new gold Grille using screws removed in Step One. Ensure that screws are inserted through the Grille, Front Face Rib and Door.

**Exhaust Blower Replacement Instructions
Part #812-4400**

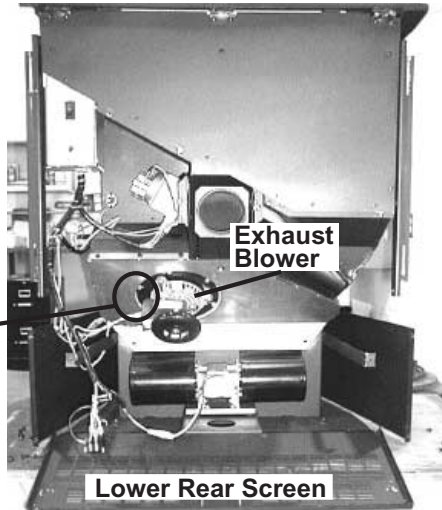
Included in Kit: (1) Blower; (1) Gasket

Tools Required: Phillips Screwdriver; Flathead Screwdriver or 1/4" Nutdriver.

FIG. 1

CONTOUR SHOWN WITH TOP REAR SCREEN AND VACUUM SWITCH REMOVED.

Remove wires from Blower



1. Unplug stove.
2. Remove both side curtains by opening halfway, then lifting up and pulling back.
3. Disconnect vacuum hose and both wires (orange and red) from the vacuum switch so you can remove the top rear screen.
4. Unscrew and remove top rear screen.
5. Unscrew lower rear screen, and lay it on it's back as shown in Fig. 1.

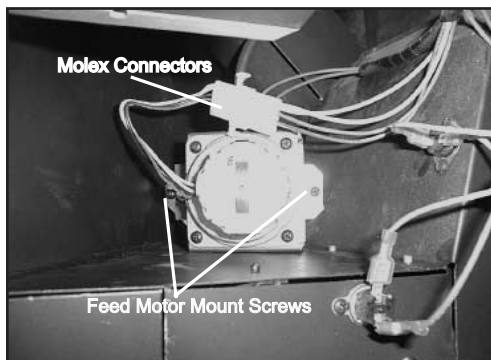
FIG. 2



6. Remove both wires from exhaust blower (blue and double white).
7. Remove 6 screws using a flathead screwdriver or a 1/4" nutdriver. Retain screws for use on replacement blower. **See Fig 2.**
8. Remove exhaust blower and gasket.
9. Install new gasket and blower by reversing steps 1-8.

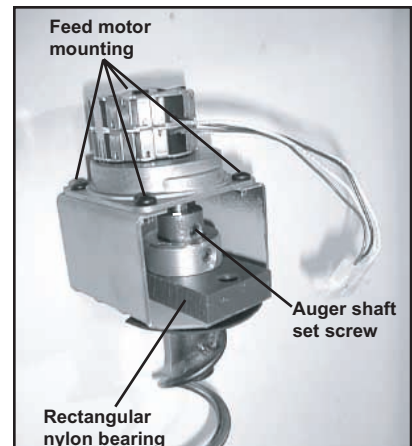
**FEED MOTOR Replacement Instructions
Part #812-4420**

FIG. 1



1. **UNPLUG THE STOVE.**
2. Open the right Side Curtain to expose the Feed Motor.
3. Disconnect the Molex connectors. Remove the two screws from the Feed Motor Mount. **(Figure 1)**
4. Pull the Feed Motor/Auger assembly straight out towards you, being careful not to hit the Control Box.

FIG. 2



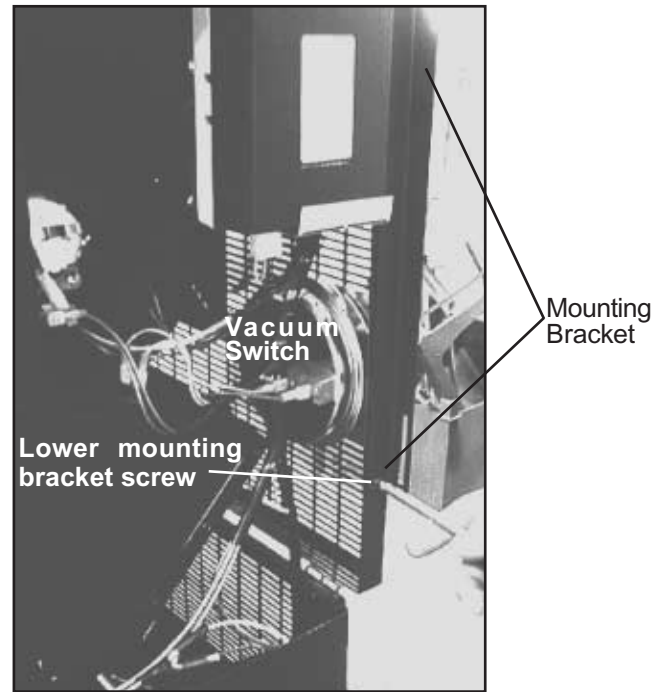
5. Loosen set screw that secures Auger Shaft to Feed Motor Shaft. **(See Figure 2)**, Remove 4 screws attaching Feed Motor to mount. Lift off old motor and replace with new. Secure with screws. Ensure Auger Shaft set screw aligns with flat side of Feed Motor Shaft.
6. Re-assemble in reverse order.

Rear Screen Replacement Kit Instructions Part #812-4510

Included in Kit: 1 Rear Replacement Screen

Tools Required: Phillips screwdriver

1. Lift off both side curtains.
2. Unscrew lower screw **ONLY** on each side curtain mounting bracket.
3. Detach vacuum switch from rear screen (2 screws).
4. Remove and retain the 10 screws from the existing rear screen and remove screen from stove. Discard old screen.
5. Attach new screen to rear of stove using 10 screws removed in step 4.
6. Re-attach vacuum switch to rear screen.
7. Re-attach lower screw to side mounting brackets.
8. Attach side curtains and align if necessary by adjusting lower screw on side mounting brackets.



TOP BAFFLE REMOVAL INSTRUCTIONS

Your new Contour stove has a latch to keep the top baffle from coming out during shipment or when the heat exchanger scraper rods are pulled.

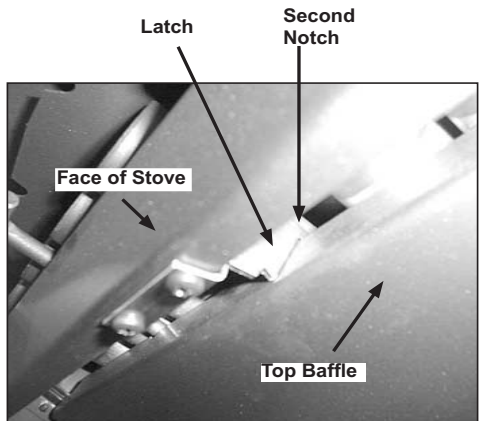


FIGURE 1.

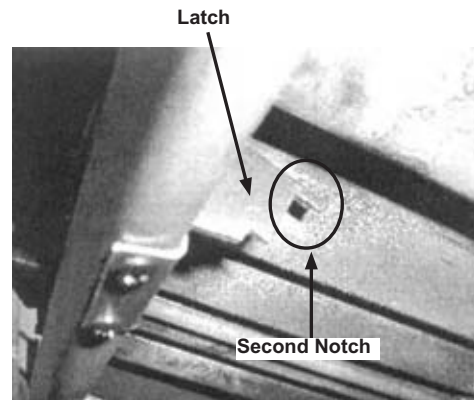


FIGURE 2.

- 1) To remove the top baffle for periodic thorough cleaning of the heat exchanger, first locate the latch. It is located between the front edge of the top baffle and the inside of the firebox centered from side to side. The latch pivots up and down.
- 2) Push the latch up with your finger while sliding the top baffle forward and down. **See FIGURE 1**
- 3) To reinstall the top baffle, align the hooks on the baffle with the slots in the baffle hangers, push up and slide back. **See FIGURE 2.**
- 4) Make sure the latch drops back into position, bypassing the first notch and catching the front edge of the top baffle with the second small notch.

ACCESSORIES

811-0820	Gold Face Trim 24K
811-0830	Gold Grille, 24K
811-0851	Log Set, 4 piece
811-0900	Log, Twig (to cover firepot)
811-0871	Outside Air Kit
811-0840	Pedestal Base, Cast Iron
811-0860	Top Flue Adapter, 3" to 3"
812-3570	Top Flue Offset Collar, 3" to 6"
812-3760	Thermostat, Mechanical
811-0520	Thermostat, Programmable

SERVICE PARTS

812-4460	Baffle, Stainless Steel
80791	Brick, Cast, Left Side
80793	Brick, Cast, Right Side
80792	Brick, Cast, Center
812-4540	Blower, Convection
812-4400	Blower, Exhaust
812-0760	Call Light, Bulb
812-0750	Call Light, Lens
812-0730	Ceramic Wire Nut
812-4410	Control Box
832-1680	Door Rope
812-4420	Feed Motor
812-3530	Firebox Draw Latch
812-4430	Firepot, EZ Clean
812-0380	Fuse, .7 amp
812-3780	Fuse, .8 amp
812-4440	Glass, Door
200-2720	Glass, Warming Shelf
812-3500	Heat Output Control Switch (Rocker Switch)
812-4460	Heat Exchanger Cover
80796	Hopper Lid Hinge, Cast
812-3811	Igniter, Loop
812-4450	Junction Box/Wiring Harness
812-1560	Snap Disc #1 (125 Degree, Convection Fan)
812-3420	Snap Disc #2 (200 Degree, High Limit)
812-0340	Snap Disc #3 (250 Degree, High Limit)
812-1322	Thermocouple Cover (ceramic protection tube)
812-4470	Thermocouple
812-3430	Vacuum Switch
842-2240	Warming Shelf Door Latch



Lifetime Warranty

LIMITED LIFETIME WARRANTY

The Aladdin Hearth Products limited Lifetime Warranty guarantees that the following components will work as designed for the lifetime of the stove or Aladdin Hearth Products will repair or replace them. These items include but are not limited to steel and cast iron components, all gas burners, gas logs, combustion chambers, heat exchanger systems, stainless steel firebox components, gold plating, doors, glass damaged by thermal breakage, steel baffle supports, steel and ceramic baffles and manifold tubes. Labor is for the first five years.

THREE YEAR WARRANTY

Our EZ Clean firepots are covered under Aladdin Hearth Products three-year warranty program. Labor is for 3 years.

TWO YEAR WARRANTY

All electrical components such as but not limited to blowers, wiring, vacuum switches, speed controls, control boxes, thermodisc switches, pilot assembly, gas valves, thermostats and remotes are covered under Aladdin Hearth Products two-year warranty program. The igniter is not covered by any warranty, expressed or implied.

ONE YEAR WARRANTY

Porcelain finishes are warranted against manufacturer defects for one year. Labor to repair or replace these parts is covered for one year, reimbursed per our warranty service fee schedule.

CONDITIONS

This warranty is non-transferable and is made to the original retail purchaser only provided that the purchase was made through an authorized dealer of Aladdin Hearth Products. It must be installed and operated at all times in accordance with the Installation and Operating Instructions furnished with this product, as well as any applicable local and national codes. Any alteration, willful abuse, accident, or misuse of the product shall nullify this warranty.

Labor to repair or replace items covered under the limited Lifetime Warranty will be covered for the first five years per our warranty service fee reimbursement schedule. Parts covered under the limited Lifetime Warranty will be covered for the lifetime of the appliance up to a maximum of ten (10) years after Aladdin Hearth Products discontinues the model. Adjustments, regular maintenance, cleaning and temporary repairs do not qualify for a service call fee and will not be covered. The replacement of consumer replaceable items and installation of upgraded component parts do not qualify for a service call fee, and will not be covered.

This limited Lifetime Warranty does not extend to or include surface finish on the appliance, logs for oil or pellet stoves, door gasketing, glass gasketing, thermocouple covers, firebrick, kaowool or other ceramic insulating materials. It does not cover installation or operational-related problems such as overfiring, use of corrosive driftwood, downdrafts or spillage caused by environmental conditions, nearby trees, buildings, hilltops, mountains, inadequate venting or ventilation, excessive offsets, or negative air pressures caused by mechanical systems such as furnaces, fans, clothes dryers, etc.

Any installation, construction, transportation, or other related costs or expenses arising from defective part(s), repair, replacement, etc., will not be covered by this warranty, nor will Aladdin Hearth Products assume responsibility for them. Further, Aladdin Hearth Products will not be responsible for any incidental, indirect, or consequential damages, except as results in damage to the interior or exterior of the building in which this appliance is installed. This limited Lifetime Warranty does not apply to the venting components, hearth components or other accessories used in conjunction with the installation of this product not manufactured by Aladdin Hearth Products.

This warranty is void if the stove has been overfired or operated in atmospheres contaminated by chlorine, fluorine, or other damaging chemicals, the stove is subjected to prolonged periods of dampness or condensation, or there is any damage to the stove or other components due to water or weather damage which is the result of, but not limited to, improper chimney or venting installation. Aladdin Hearth Products may, at its discretion, fully discharge all obligations with respect to this warranty by either repairing or replacing the unit, or refunding the wholesale price of the defective part(s).

This limited Lifetime Warranty is effective on all Quadra-Fire appliances sold after May 1, 2002 and supersedes any and all warranties currently in existence.

REV C

QUADRA-FIRE

ATTENTION INSTALLER:

**PLEASE RETURN THESE
OPERATING AND INSTALLATION
INSTRUCTIONS TO CONSUMER**

